

Keep With Operator's Manual

GRILLE GUARD

CNH T5040, T5050, T5060, & T5070 TRACTORS WITH OR WITHOUT LOADER

Tractor	2WD	4WD	Less Cab	With Cab
T5040	X	X	X	X
T5050	X	X	X	X
T5060	X	X	X	X
T5070	X	X	X	X

Guard can be installed using tools ordinarily available.

OPENING HOOD

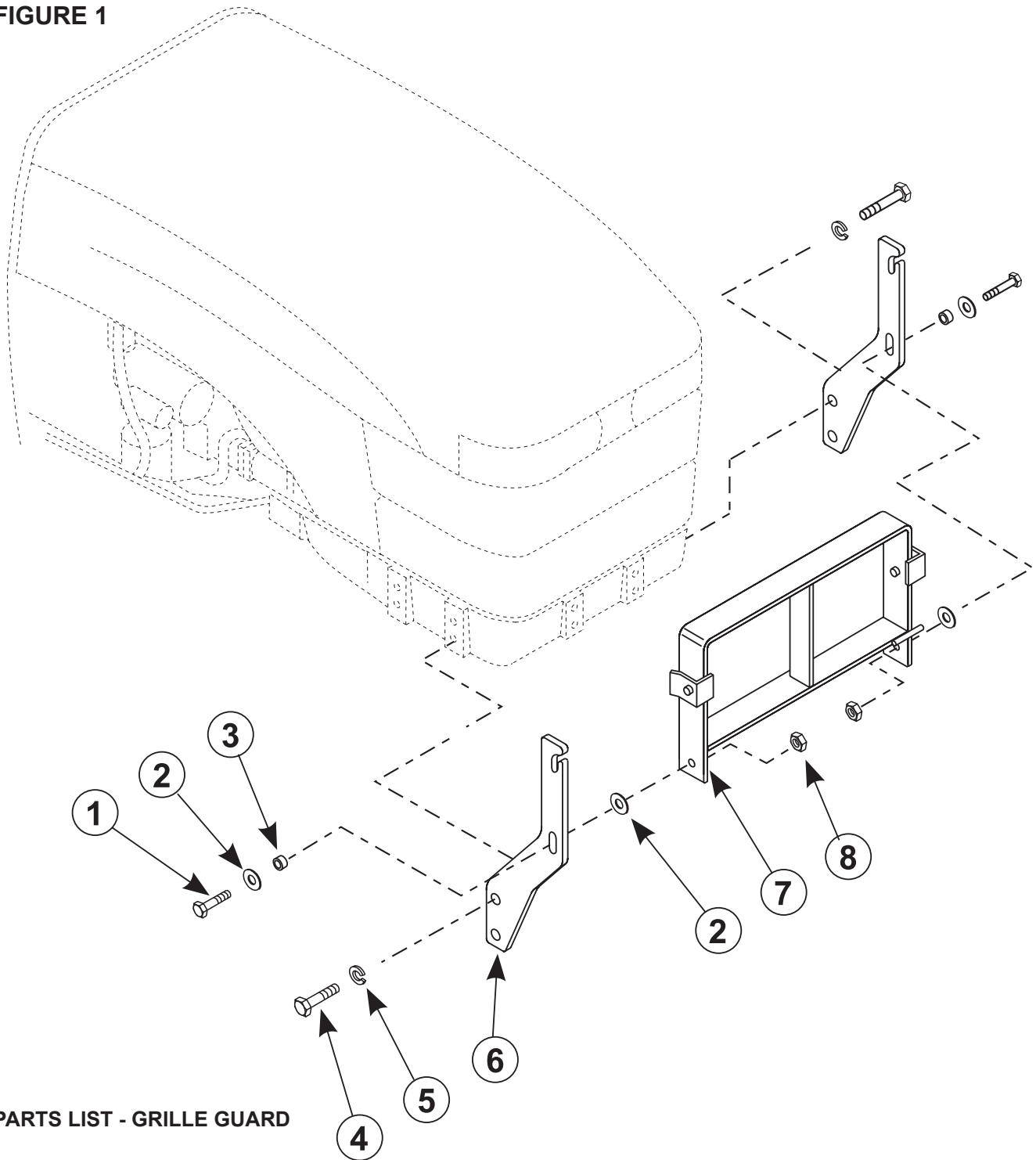
INSTALLING GRILLE GUARD (Figure 1)

To open hood lift guard and tilt guard forward away from tractor hood.

NOTE: Leave all attaching hardware loose until Grille Guard is completely assembled to facilitate assembly and proper alignment. Grille Guard hardware will be torqued later to the following: 20mm cap screws (4) to 300 ft. lbs. and 1/2" cap screws (1) to 70 ft. lbs.

1. Install lower support brackets (6) to tractor casting using 20mm x 60mm cap screws (4), 20mm lock washers (5).
2. Attach grille guard assembly (7) to lower support brackets (6) using 1/2 x 1-1/2 cap screws (1), 1/2 flat washers (2), spacer tubes (3) and 1/2 lock nuts (8).

FIGURE 1



PARTS LIST - GRILLE GUARD

Item	Part No.	Description	Qty.
1	G180177	SCREW, Cap, 1/2-13 x 1-1/2	2
2	G120396	WASHER, Flat, 1/2	4
3	47427-1	SPACER, Tube	2
4	6090-70	SCREW, Cap, 20mm-2.50 x 60mm	4
5	G11500166	WASHER, Lock, 20mm	4
6	55577	BRACKET, Lower support	2
7	55692	GRILLE GUARD ASSEMBLY	1
8	G9414074	NUT, Lock, 1/2-13	2

INSTALLATION INSTRUCTIONS