

Keep With Operator's Manual

HOSE KIT TO TRACTOR MID MOUNTED VALVE 2409TL LOADER, MODELS DK40SE,DK45SE KIOTI TRACTORS

GENERAL INFORMATION

Tractor must be equipped with Kioti mid-mounted valve under right side of tractor platform.

Hose kit can be installed using tools ordinarily available. Shut off engine and engage brakes during installation.

NOTE: Apply sealant only to all tapered threads unless coupled with swivel adapters. When using teflon tape, wrap tape clockwise (as viewed from end) and wrap only twice. Keep sealant away from first two threads of tapered end to prevent contamination of hydraulic fluid. Do not use sealant on O-ring or flare adapter threads.



WARNING: Escaping hydraulic fluid under pressure can penetrate skin causing serious injury.

- **DO NOT** use your hands to check for leaks. Use a piece of cardboard or paper to search for leaks.
- Stop engine and relieve pressure before connecting or disconnecting lines.
- Tighten all connections before starting engine or pressurizing lines.

If any fluid is injected into skin, obtain medical attention immediately or gangrene may result.

PLUMBING LOADER TO MID MOUNTED TRACTOR VALVE (Figure 1)

1. Remove four plugs from lower front ports of tractor valve. Install straight adapter fitting (3) into each tractor valve port. Install female coupler (5) and dust plug (7) on each straight adapter fitting (3) on tractor valve.
2. Install 5/8" color coded spiral bands (6) onto female quick couplers (5).

NOTE: Be sure to attach color-coded identification bands (6) in sequence shown in Figure 1.

3. Install 3/8" x 68" hoses (1) onto boom oil line tubes. Install and tighten hose fittings one at a time from the bottom up.

4. Install 5/8" color coded spiral bands (6) onto free ends of hoses (1) to match bands on female quick couplers (5) at tractor valve. Slide one nylon sleeve (2) over upper two hoses (1) and slide other nylon sleeve (2) over lower two hoses (1).
5. Install male quick couplers (4) and dust caps (8) onto free end of each hose (1).
6. Connect hoses (1) from upper two boom oil lines to the two inner female quick couplers (5) on tractor valve. Connect hoses (1) from lower two boom oil lines to the two outer female quick couplers (5) on tractor valve. Use plastic straps (9) around hoses in sleeves to secure hoses.

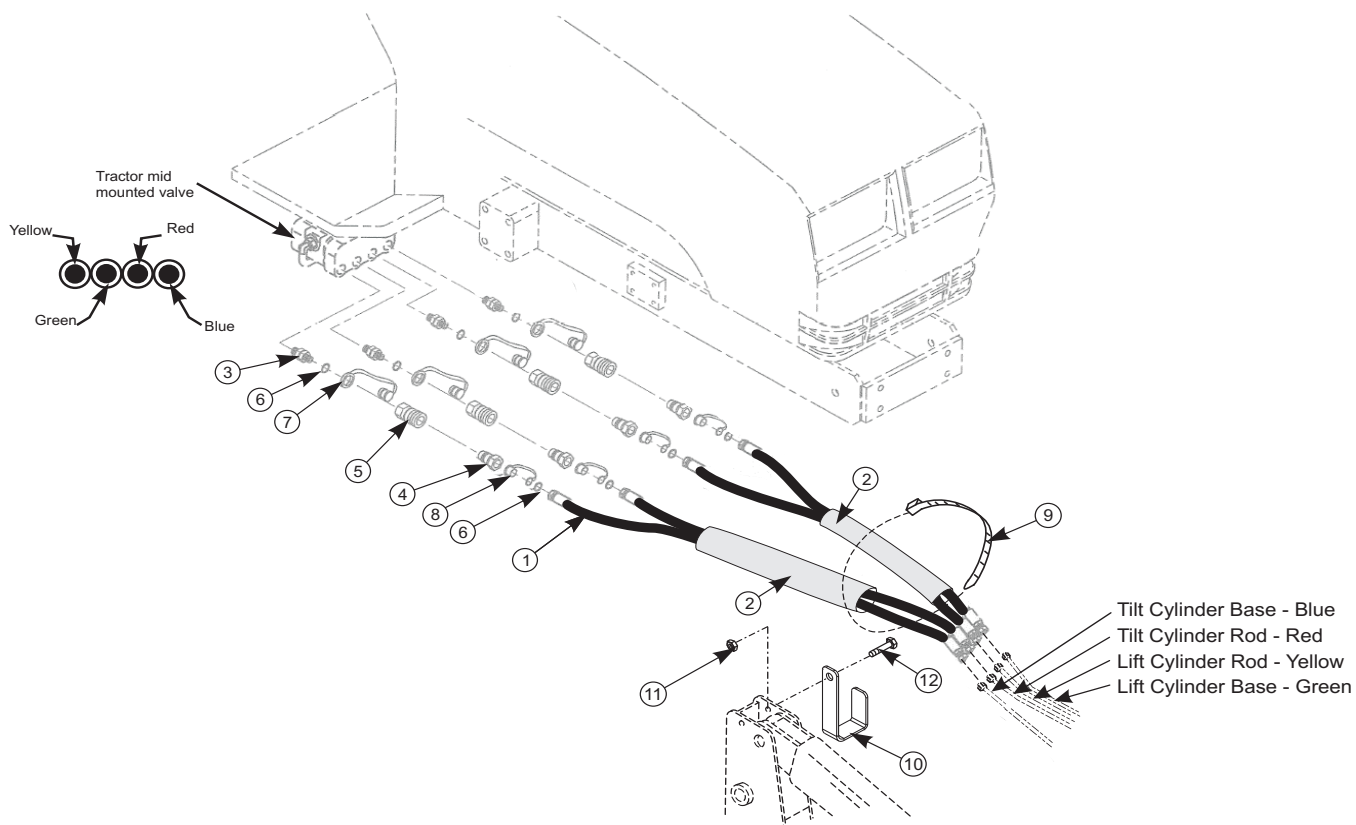
NOTE: Route hoses behind loader right mid mounting bracket.

7. Mount hose hanger (10) to inside of right loader side-frame near loader pivot using 3/8" cap screw (12) and locknut (11). Hang hoses and if needed secure with adjustable strap (9).
8. After all plumbing has been completed and all parts are secure, start the tractor engine. Slowly cycle lift and bucket cylinders several times to purge any air from hydraulic system, then retract cylinders and shut off tractor engine. Add additional tractor hydraulic fluid as specified in the tractor operator's manual to bring the fluid level up to the full mark.

NOTE: When cycling the loader, if direction of control lever is wrong, recheck hose connections.

9. After loader has been installed onto tractor, loop hoses over hose hanger bracket provided with mounting kit and hook at front of right mid mounting bracket to keep away from tractor tires.

NOTE: Always slide hoses off hose loops before dismounting loader. Hoses are routed behind loader right mid mounting bracket.



PARTS LIST – HOSE KIT

Item	Part No.	Description	Qty.
1	38576-20	HOSE, 3/8" x 68"	4
2	34853-82	SLEEVE, Hose, Nylon, 66"	2
3	48670-2	FITTING, Straight, Adjustable, Hex, 9/16"-18 O-ring Male x 9/16"-18 O-ring Male	4
4	6137-11	COUPLING, Male, 3/8"	4
5	6147-11	COUPLING, Female, 3/8"	4
6	36240-5	SPIRAL BAND, Blue, 5/8"	2
	36240-6	SPIRAL BAND, Red, 5/8"	2
	36240-7	SPIRAL BAND, Yellow, 5/8"	2
	36240-8	SPIRAL BAND, Green, 5/8"	2
7	4838-17	DUST PLUG	4
8	4838-18	DUST CAP	4
9	8137-3	STRAP, Adjustable, 1/2" x 20"	2
10	52685	HOLDER, HOSE	1
11	41840-3	NUT, Lock, 3/8"-16	1
12	41840-11	SCREW, Hex Head Cap, 3/8"-16 x 1	1

INSTALLATION INSTRUCTIONS