

Keep With Operator's Manual

GRILLE GUARD 2407TL LOADER KIOTI CK 25, 30 & BOBCAT CT225/230 TRACTORS

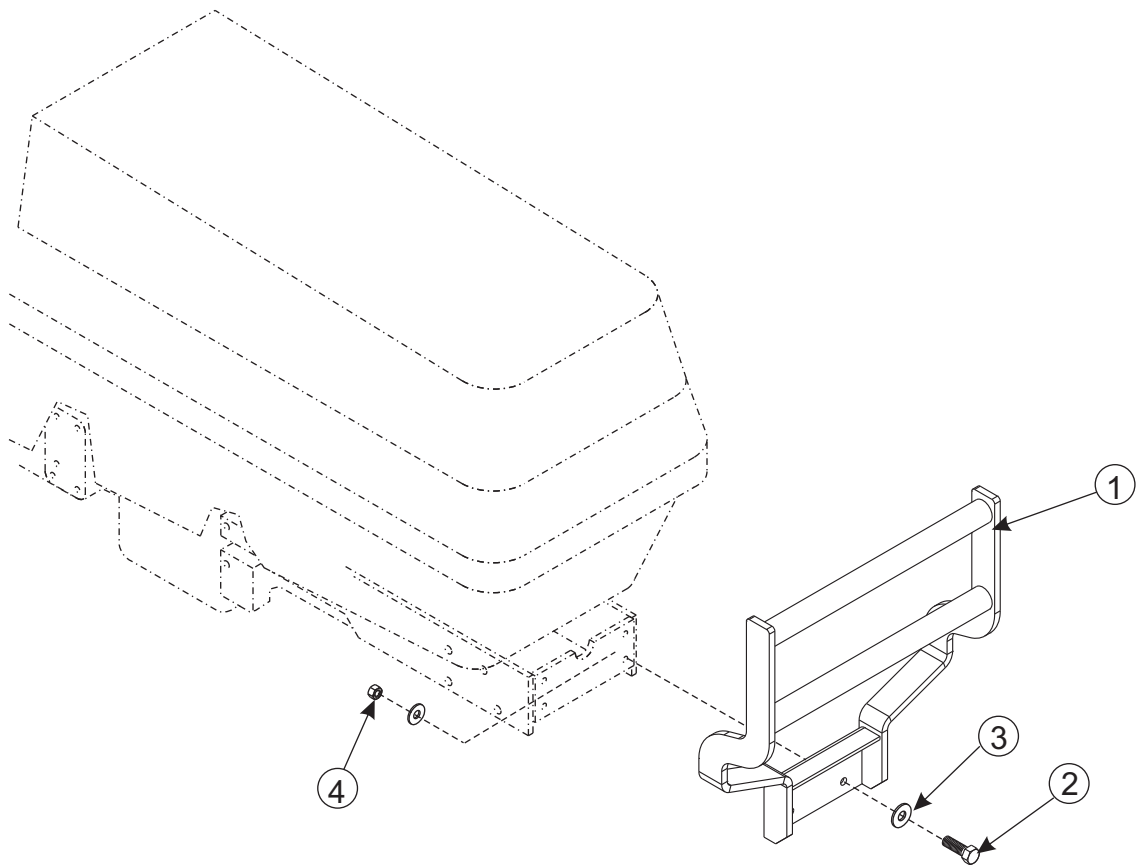
NOTE: Grille guard is compatible with SMC and Rhino 2407TL loader. Grille guard not compatible with tractor front end weights.

INSTALLING GRILLE GUARD (Figure 1)

1. Install grille guard (1) to tractor frame using 1/2" x 1-3/4" bolts (2), 1/2" flat washer (3), and 1/2" lock nuts (4).

Guard can be installed using tools ordinarily available.

Torque all hardware to specifications listed in loader operator's manual.



ITEM	PART NO.	DESCRIPTION	QTY.
1	53932	GRILLE GUARD ASSEMBLY	1
2	41838-12	BOLT, 1/2"-13 x 1 3/4"	4
3	42502-10	WASHER, YDP Flat 1/2" N-SAE	8
4	41840-5	NUT, Lock 1/2"	4

INSTALLATION INSTRUCTIONS