

Keep With Operator's Manual

**LOADER MOUNT KIT  
SMC 2408 LOADERS  
NEW HOLLAND CLASS II TRACTORS**

NEW HOLLAND MODEL	2WD	FWA	SUPERSTEER
TC34, TC34D, and TC34DA	X	X	X

Mounting brackets can be installed using tools ordinarily available.

**NOTE:** Leave all hardware loose until loader is completely assembled to facilitate alignment. Torque hardware to specifications listed in loader manual.

**INSTALLING MOUNTING BRACKETS**

1. Install front mounting brackets (3 & 4) to tractor frame using 1/2 x 1-3/4 cap screws (5) and 1/2 lock nuts (6).

**NOTE:** If tractor is equipped with mid remotes, remove and discard 1/2 spacer and sandwich right mid mounting bracket (2) between remote bracket and tractor casting. Use existing hardware to mount remote bracket (Figure 1A).

2. Install mid mounting brackets (1 & 2) to tractor transmission casting using 16mm x 45mm cap screws (8) and 5/8 lock washers (7). Use four or six cap screws per side, depending on number of threaded holes in tractor mounting pads.
3. **STD. FWA OR 2WD Only** - Support front of tractor and remove 14mm bolts holding rear of front axle casting to tractor frame. Fasten loader mid mounting brackets (1 & 2) in these holes using 14mm-1.50 x 55mm cap screws (10) and 9/16 lock washers (12).

**SUPERSTEER Only** - Remove forward 4 bolts fastening engine block to frame (NOTE: On right side remove steel pressure line on hydraulic pump). Using Loctite® (medium strength), install support flat (9) at these holes using 14mm-1.50 x 50mm class 10.9 (13) and 9/16 lock washers (12). Torque these bolts from 86 to 109 ft. lbs. Fasten loader mid mounting brackets (1 & 2) to these plates using 14mm-1.50 x 55mm cap screws (10), 14mm-1.50 hex nuts (11) and 9/16 lock washer (12). Reinstall hydraulic pressure line.

**LOADER MOUNTED WITH 914A BELLY MOWER**

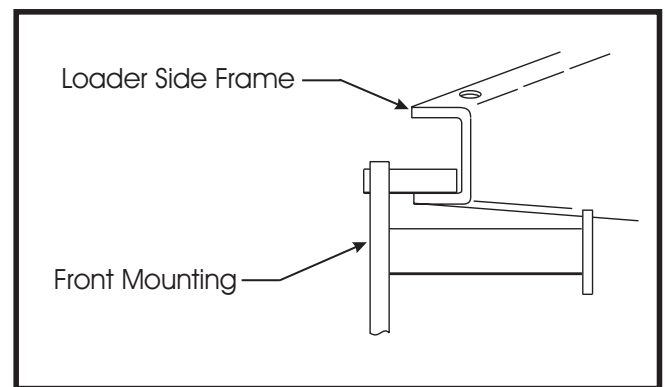
Do Not Use 3/8" Spacer Between Mower Pivot-Up Stop Plates And Loader Mountings. If Necessary, For Proper Alignment Shim Between Mower Front Lift Brackets And Pivot-Up Stop Plate With 1/8 Thick 3/4" Flat Washer.

**Installing Loader**

1. Attach Nylon Sling To Bumper And Use Overhead Hoist To Support Loader While Removing Pallet From Loader

**Note:** Some Loader Hardware Is Used To Attach Loader To Pallet. After Removing Loader From Pallet Reinstall Hardware To Same Location On Loader.

2. Loop Nylon Slings Around Loader Boom. Remove Hinge Clamping Hardware.
3. Using Overhead Hoist, Raise Loader Over Front Mounting Bracket. Slide Loader To Rear Until Side Frames Rest On Mid Mounting Bracket Tubes.



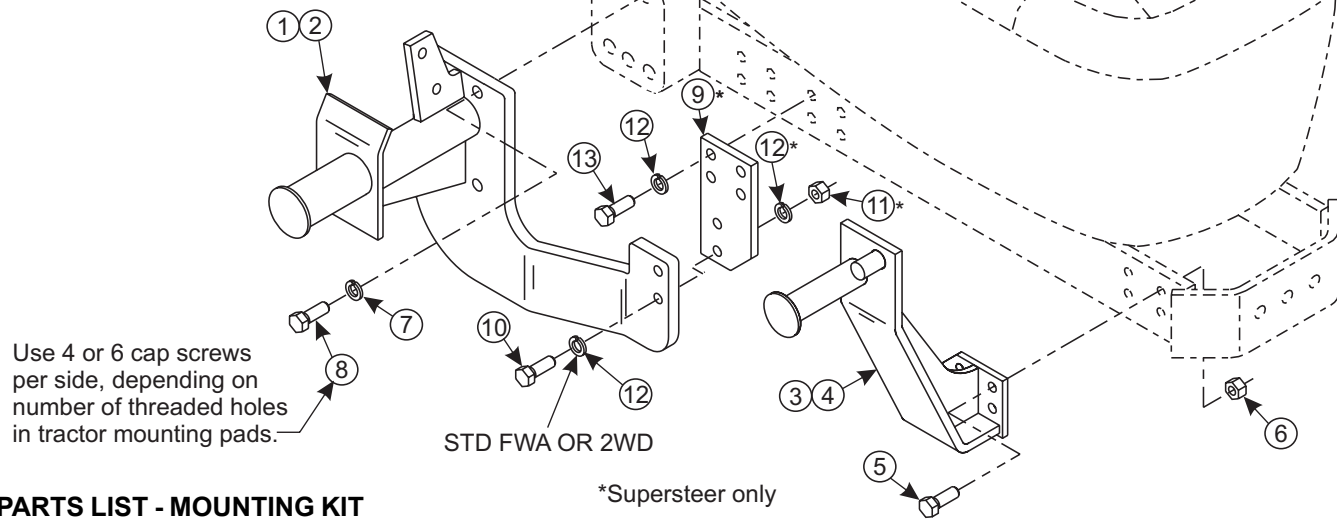
**NOTE:** Lower lip of loader side frame channel must be between front mounting tubes.

4. Clamp hinges around mid mounting bracket tubes using hardware provided.
5. Refer to plumbing kit instructions to complete loader installation.

**NOTE:** If tractor is equipped with mid remotes, remove 1/2" spacer and sandwich right midmounting bracket between remote bracket and tractor casting. Use existing hardware on this corner.

**Figure 1A**

**Figure 1**  
**Installing Loader Mounting Brackets**



**PARTS LIST - MOUNTING KIT**

\*Supersteer only

ITEM	PART No.	DESCRIPTION	QTY.
1	53812	BRACKET, Mounting, Mid, Left	1
2	53813	BRACKET, Mounting, Mid, Right	1
3	45520-1	BRACKET, Mounting, Front, Left	1
4	45520-2	BRACKET, Mounting, Front, Right	1
5	41838-12	SCREW, Cap, 1/2-13 x 1-3/4"	8
6	41840-5	NUT, Lock, 1/2-13	8
7	41837-7	WASHER, Lock, 5/8"	12
8	42672-21	SCREW, Cap, 16mm-2.0 x 45mm	12
9	49408	SPACER, Flat (SuperSteer only)	2
10	42672-22	SCREW, Cap, 14mm-1.50 x 55mm	4
11	26457-1	NUT, Hex, 14mm-1.50 (SuperSteer only)	4
12	41837-6	WASHER, Lock, 9/16"	12
13	49040-5	SCREW, Cap, 14mm-1.50 x 50mm, Class 10.9 (SuperSteer only)	8

# INSTALLATION INSTRUCTIONS