

Keep with Operator's Manual

## GRILLE GUARD AGCO & MASSEY FERGUSON TRACTORS

AGCO	MASSEY FERGUSON
ST34A	MF1533
ST41A	MF1540

### TRACTOR AND GRILLE GUARD GENERAL INFORMATION

Grille guard can be installed on tractor using tools ordinarily available, including standard wrenches and a torque wrench.

Grille guard is designed to be compatible with AGCO/MF front weights but is not compatible with AGCO/MF front weight bumper.

Grille guard is designed to be compatible with Alamo SMC or Rhino 2408TL loader. Install grille guard while installing loader mounting brackets.

References to left and right used in these instructions refer to position when seated in operating position on tractor. Shut off engine and engage brakes during installation.

### INSTALLING GRILLE GUARD (Figure 1)

**NOTE:** *Install all attaching hardware loosely (unless noted otherwise) until grille guard is completely assembled to facilitate assembly and proper alignment.*

1. Remove front bumper, if so equipped.

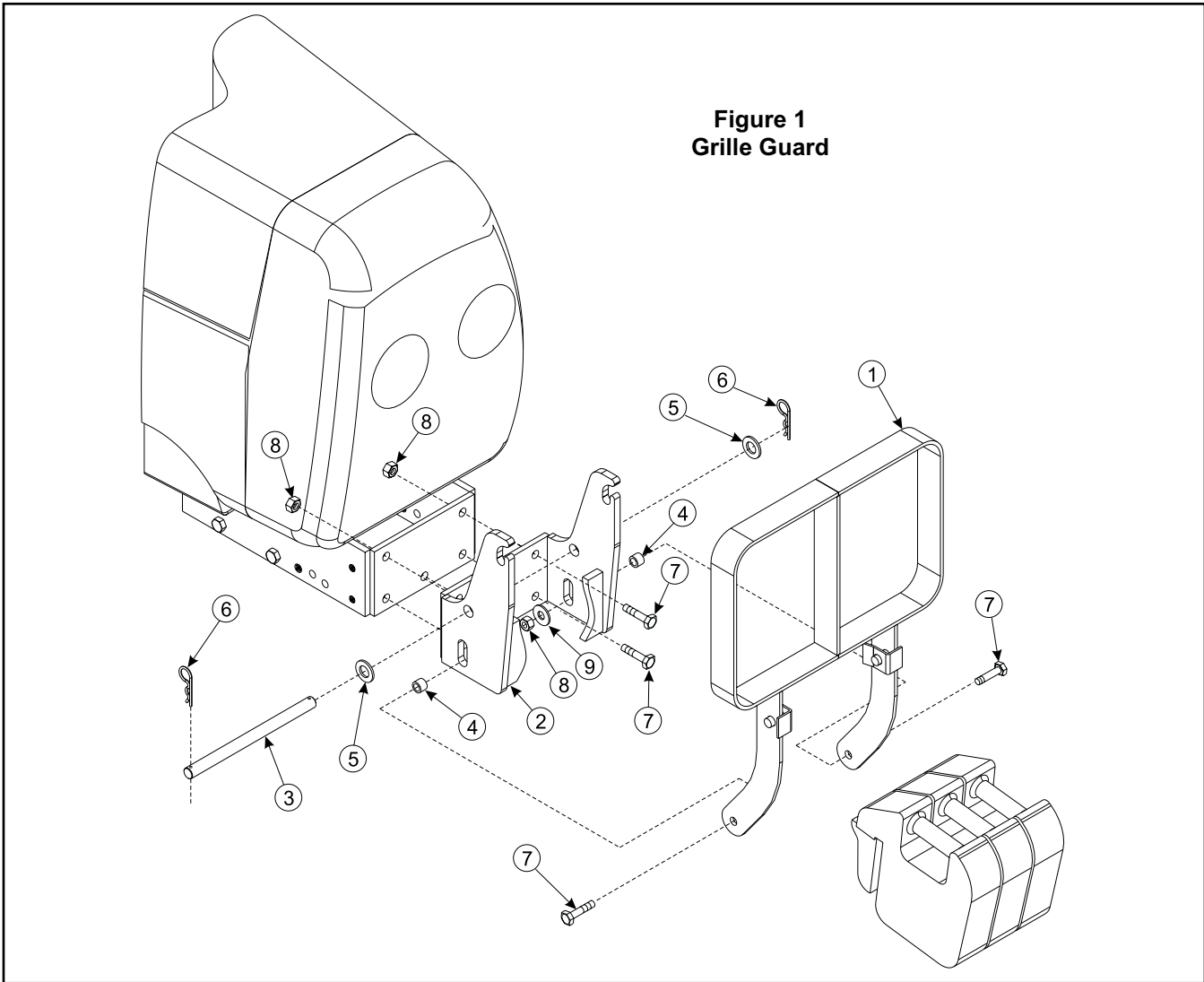
2. Install grille mount bracket (2) using 1/2 x 1-1/2" cap screws (7) and 1/2" lock nuts (8).
3. Attach grille loop assembly (1) to grille mount assembly (2) using 1/2 x 1-1/2 cap screws (7), spacers (4), 1/2" flat washers (9) and 1/2" lock nuts (8).
4. To place grille loop (1) in its upright position, lift and rotate until pins slip into upper slot of grille mount assembly (2).
5. If tractor is equipped with front weights, place weights on grille mount (2). Lock weights into place by sliding weight shaft (3) through grille mount (2) and over lip of weights. Place 3/4" flat washers (5) and hair cotter pins (6) on ends of shaft (3).

Tighten 5/8-11 Grade 5 hardware to 126-139 ft.·lbs. (171-188 Nm) of torque; tighten 1/2-13 Grade 5 hardware to 65-72 ft.·lbs. (88-97.5 Nm) of torque.

### OPENING HOOD

To open hood, lift guard and tilt guard forward away from tractor hood.

**Figure 1**  
**Grille Guard**



**PARTS LIST – GRILLE GUARD**

Item	Part No.	Description	Qty.
1	52968	GRILLE Loop Assembly	1
2	52966	GRILLE, Mount Assembly	1
3	52970	WEIGHT Shaft	1
4	47427-1	SPACER, Tube	2
5	42502-13	WASHER, Flat, 3/4"	2
6	41901-1	HAIR Pin Cotter	2
7	41838-33	SCREW, Cap, 1/2-13 x 1-1/2", Grade 5	7
8	41840-5	NUT, Lock, 1/2-13, Type N	7
9	42502-30	WASHER, Flat, 1/2"	2

# INSTALLATION INSTRUCTIONS