

Keep with Operators Manual

**GRILLE GUARD
KUBOTA L3130, L3430, & L3830 TRACTORS
COMPATIBLE WITH 2409 LOADER**

TRACTOR & GRILLE GUARD GENERAL INFORMATION

Grille guard can be installed using tools ordinarily available, including standard size wrenches.

Grille guard is designed to be compatible with 2409 loader. If front end loader is to be installed, install grille guard before installing loader mounting brackets.

If tractor is equipped with a mid mower deck, support mower deck and remove hardware which attaches front hanger brackets to tractor frame.

INSTALLING GRILLE GUARD (Figure 1)

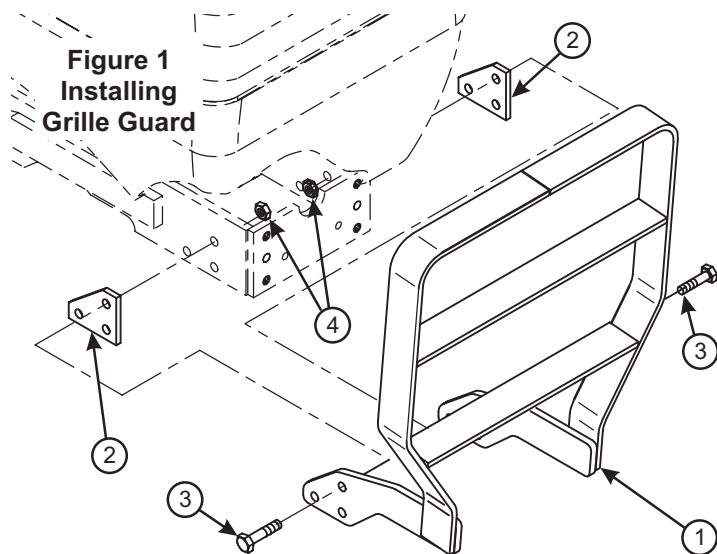
NOTE: Install all attaching hardware loose until grill guard is completely assembled to facilitate assembly and proper alignment. Tighten all hardware to specified torques when assembly is complete.

Place spacers (2) between mounting flanges of grille guard (1) and tractor frame and fasten grille guard (1) and spacers (2) to tractor frame using 9/16 x 2-1/4" cap screws (3) and lock nuts (4).

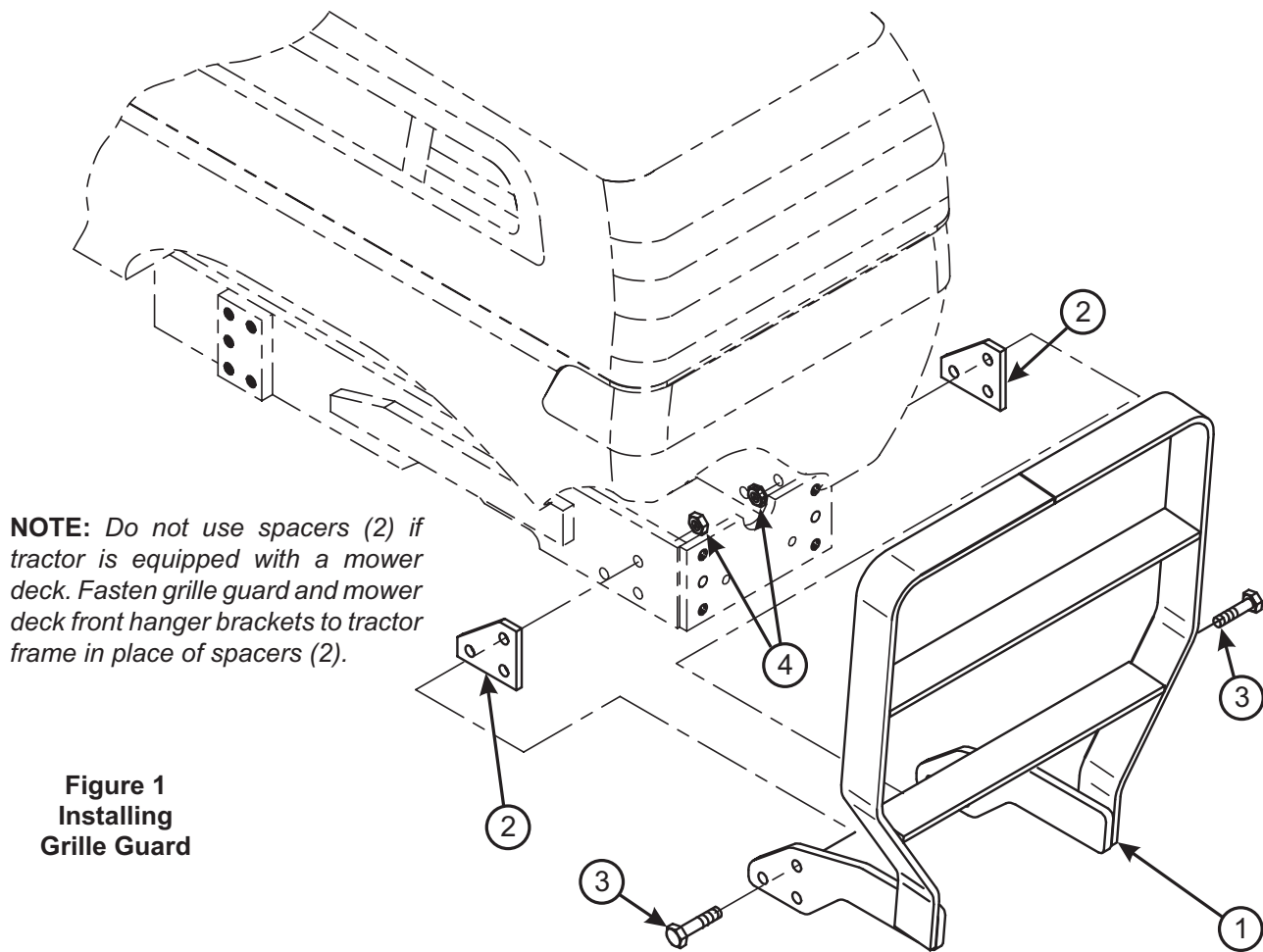
NOTE: If tractor is equipped with a mower deck, do not use spacers (2) between mounting flanges of grille guard and tractor frame as shown. Mower deck front hanger brackets take place of spacers (2). (Thickness of mower deck front hanger brackets equal thickness of spacers [2].)

NOTE: To ease installation, begin by installing 9/16 x 2-1/4" cap screws (3) and 9/16 lock nuts (4) in rearmost holes, then rotate grille guard into position and install remaining cap screws (3) and lock nuts (4).

Torque 9/16 x 2-1/4" cap screws (3) and 9/16 lock nuts to 127-140 ft·lbs (172-190 N·m)



NOTE: Do not use spacers (2) if tractor is equipped with a mower deck. Fasten grille guard and mower deck front hanger brackets to tractor frame in place of spacers (2).



PARTS LIST — GRILLE GUARD

Item	Part No.	Description	Qty.
1	51331	GRILLE GUARD	1
2	51334	SPACER PLATE	2
3	41838-70	SCREW, Cap, 9/16-12 x 2-1/4"	6
4	41840-6	NUT, Lock, 9/16-12	6

INSTALLATION INSTRUCTIONS