

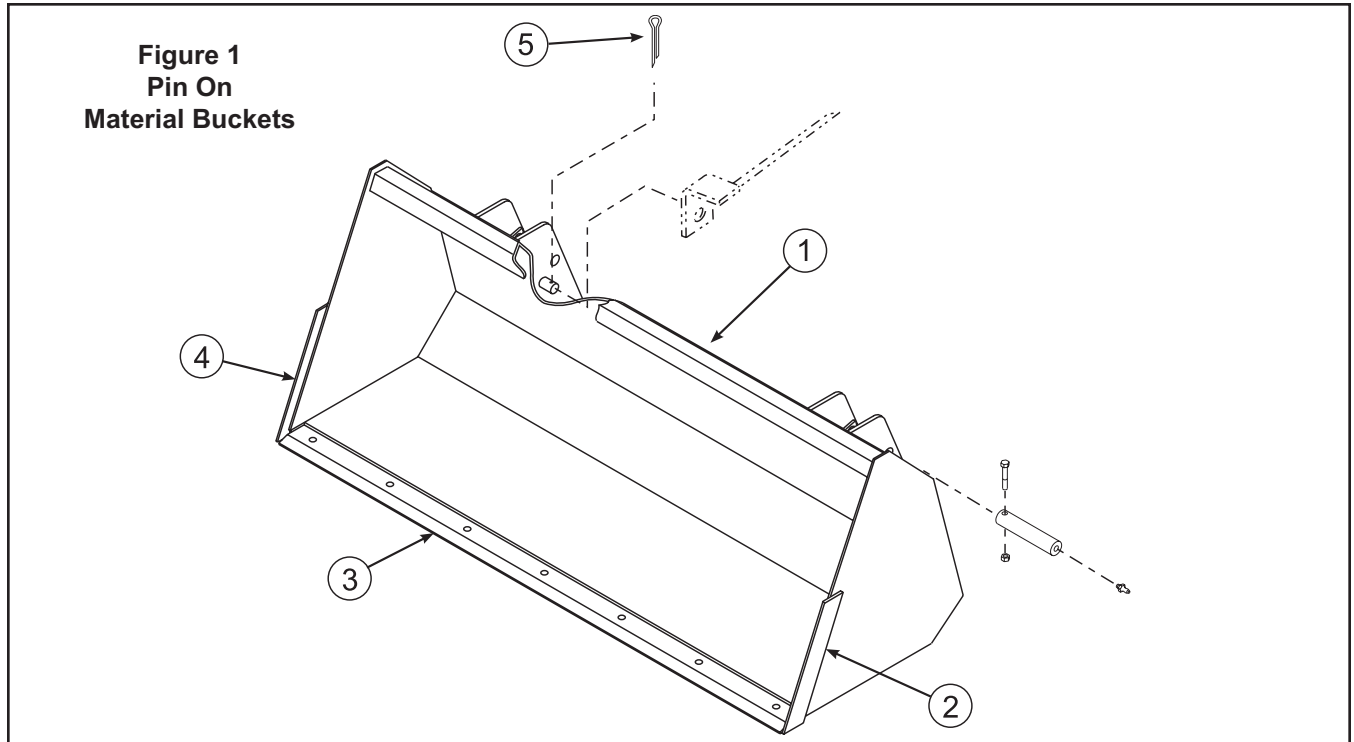
715717006 72" STD.
 715717076 72" STD.
 715719006 60" H.D.
 715719066 60" H.D.
 715720006 72" H.D.
 715720076 72" H.D.
 715725006 84" H.D.
 715725026 84" H.D.
 716651006 84" S & LM
 716651016 84" S & LM
 716651026 84" S & LM
 715725056 84" H.D.
 72" H.D.
 84" S & LM
 715763016 96" H.D.

ASSEMBLY MANUAL

2-6616
 2-6931
 2-6613
 2-6930
 2-6614
 2-6932
 2-6615
 2-6933
 2-6618
 2-6689
 2-6935
 2-7178
 2-7197
 2-7196
 2-7513

Keep With Operator's Manual

PIN ON MATERIAL BUCKETS



PARTS LIST - BUCKETS

Item	SMC No.	NH No.	CASE IH No	Description	Qty.
1	*	*	*	BUCKET, 72" Standard Pin On (Includes cutting edges)	1
	*	*	*	BUCKET, 60" Heavy Duty Pin On (Includes cutting edges)	1
	*	*	*	BUCKET, 72" Heavy Duty Pin On (Includes cutting edges)	1
	*	*	*	BUCKET, 84" Heavy Duty Pin On (Includes cutting edges)	1
	*	*	*	BUCKET, 84" Snow & Light Material (Includes cutting edges)	1
	*	*	*	BUCKET, 96" Heavy Duty Pin On (Includes cutting edges)	1
2	28086-1	SML280861	SML280861	CUTTING EDGE, Left Side (60" H.D., 72" H.D., 84" H.D., 96" H.D.)	1
	32817-1	SML328171	SML328171	CUTTING EDGE, Left Side (72" Standard & 84" Snow & Light Material)	1
3	22542-5	SML225425	SML225425	CUTTING EDGE, Bottom (72" Standard, no holes)	1
	46734-3	SML467343	SML467343	CUTTING EDGE, Bottom (60" Heavy Duty, with holes)	1
	46734-1	SML467341	SML467342	CUTTING EDGE, Bottom (72" Heavy Duty, with holes)	1
	46734-2	SML467342	SML467342	CUTTING EDGE, Bottom (84" Heavy Duty, with holes)	1
	22542-8	SML225428	SML225428	CUTTING EDGE, Bottom (84" Snow & Light Material, no holes)	1
	46734-4	SML467344	SML467344	CUTTING EDGE, Bottom (96" Heavy Duty, with holes)	1
4	28086-2	SML280862	SML280862	CUTTING EDGE, Right Side (60" H.D., 72" H.D., 84" H.D., 96" H.D.)	1
	32817-2	SML328172	SML328172	CUTTING EDGE, Right Side (72" Standard & 84" Snow & Light Material)	1
5	41903-9	87400	432-1232	COTTER PIN, 3/16 x 2.00	1

* Not sold as repair part.

2-6616 72" STD.
 2-6631 72" STD.
 2-6613 60" H.D.
 2-6930 60" H.D.
 2-6614 72" H.D.
 2-6932 72" H.D.
 2-6615 84" H.D.
 2-6933 84" H.D.
 2-6618 84" S & LM
 2-6689 84" S & LM
 2-6935 84" S & LM.
 2-7178 84" H.D.
 2-7197 72" H.D.
 2-7196 84" S & LM
 2-7513 96" H.D.

715717006
 715717076
 715719006
 715719066
 715720006
 715720076
 715725006
 715725026
 716651006
 716651016
 716651026
 715725056

715763016

ATTACHING PIN ON MATERIAL BUCKETS (Figure 1)

Material buckets can be installed using tools ordinarily available.

Attach bucket to lift boom frame and bucket cylinders with four pins, 3/8 cap screws and 3/8 lock nuts (supplied with loader).

NOTE: *On 46LB, LX146 and 5211 loader, it may be necessary to rotate loader parking stand down to install bucket attachment pins to loader boom.*

Attach bucket leveling rod (supplied with loader) through slot in bucket leveling bracket attached to tilt cylinder and inner ear on right side of bucket with 3/16 x 2 cotter pin (5) as shown in figure 1.

BUCKET MODEL	BUCKET WIDTH		STRUCK CAPACITY	
	Inches	Centimeters	Cubic Yards	Cubic Meters
72" Standard	72	183	.58	.45
60" H.D.	60	152	.44	.34
72" H.D.	72	183	.55	.42
84" H.D.	84	213	.63	.48
84" Snow & Light Material	84	213	.68	.52
84" Snow & Light Material	84	213	.92	.71
96" H.D.	96	244	.75	.58



WARNING: *Always use a drift and hammer made of non-sparking material (a shot filled mallet is recommended) to install or remove pins. A steel hammer or drift could generate flying metal fragments and result in injury. Always wear safety glasses when using a hammer to remove or install pins.*

INSTALLATION INSTRUCTIONS