

Keep with Operators Manual

## MOUNTING BRACKET KIT 756C BACKHOE NEW HOLLAND TC18, TC21D & TC24D TRACTORS

Mounting bracket kit is used to mount backhoe subframe 715651016 to TC18 (SN UD33666 and above), TC21D (SN UF33357 and above), and TC24D tractors if equipped with 12LA loader or 702c front dozer.

### INSTALLING MOUNTING BRACKETS (Figure 1)

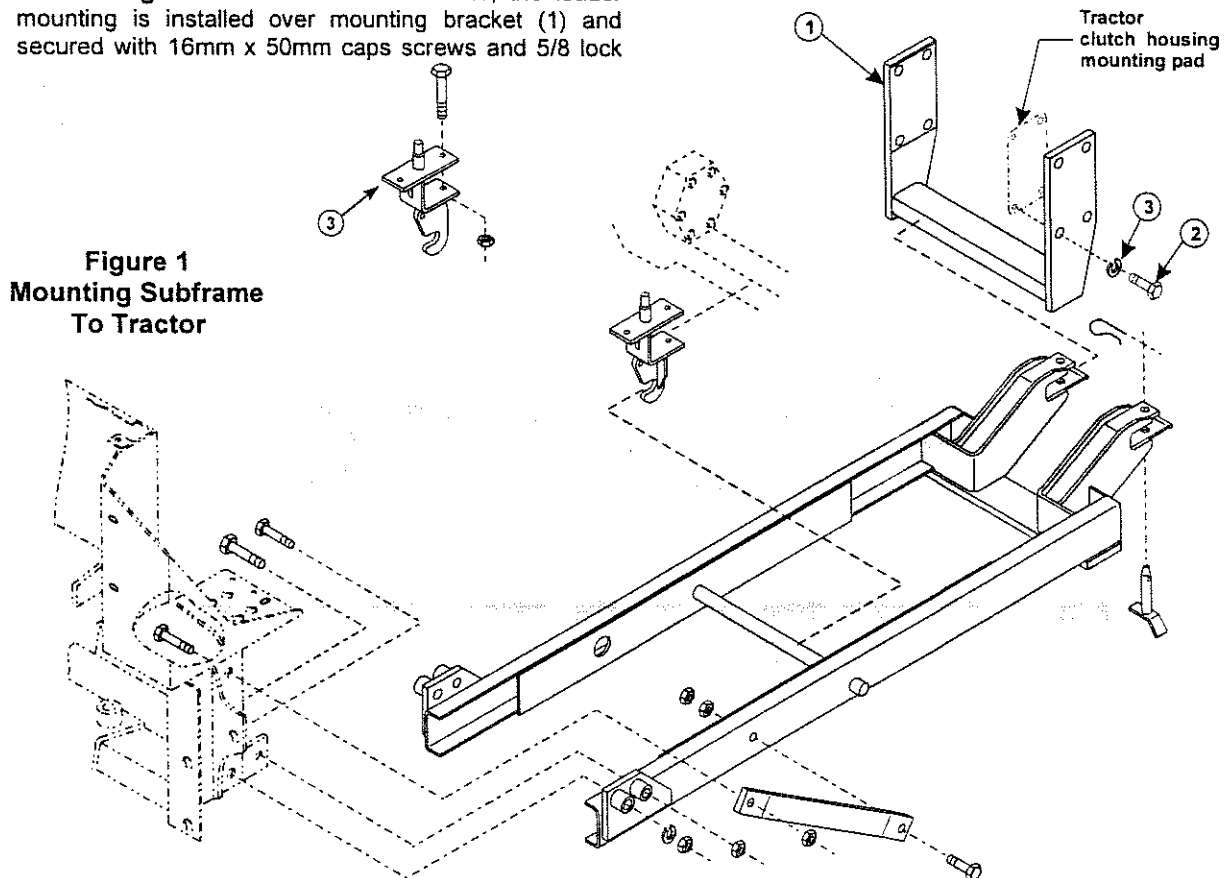
1. Install mounting bracket (1) to clutch housing area of tractor.

If mounting with the CNH 12LA Loader, the loader mounting is installed over mounting bracket (1) and secured with 16mm x 50mm caps screws and 5/8 lock

washers supplied with loader mounting. Torque hardware to 110-135 ft.-lbs. (149-184 NM).

If backhoe is being used with 702C Front Dozer (715422026), install mounting bracket (1) to clutch housing area of tractor using 16mm x 40mm caps screws (2) and 5/8 lock washers (3). Torque hardware to 110-135 ft.-lbs. (149-184 NM).

**NOTE:** Remaining items shown in Figure 1 are included in kit 715651016.



**Figure 1**  
**Mounting Subframe**  
**To Tractor**

### PARTS LIST - SUBFRAME MOUNTING KIT

ITEM	SMC NO.	NH NO.	DESCRIPTION	QTY.
1	50171	SML50171	MOUNTING BRACKET	1
2	42672-15	00848780	SCREW, Cap, 16mm-2.0 x 40mm	8
3	41837-7	0084057	WASHER, Lock, 5/8	8

# **INSTALLATION INSTRUCTIONS**