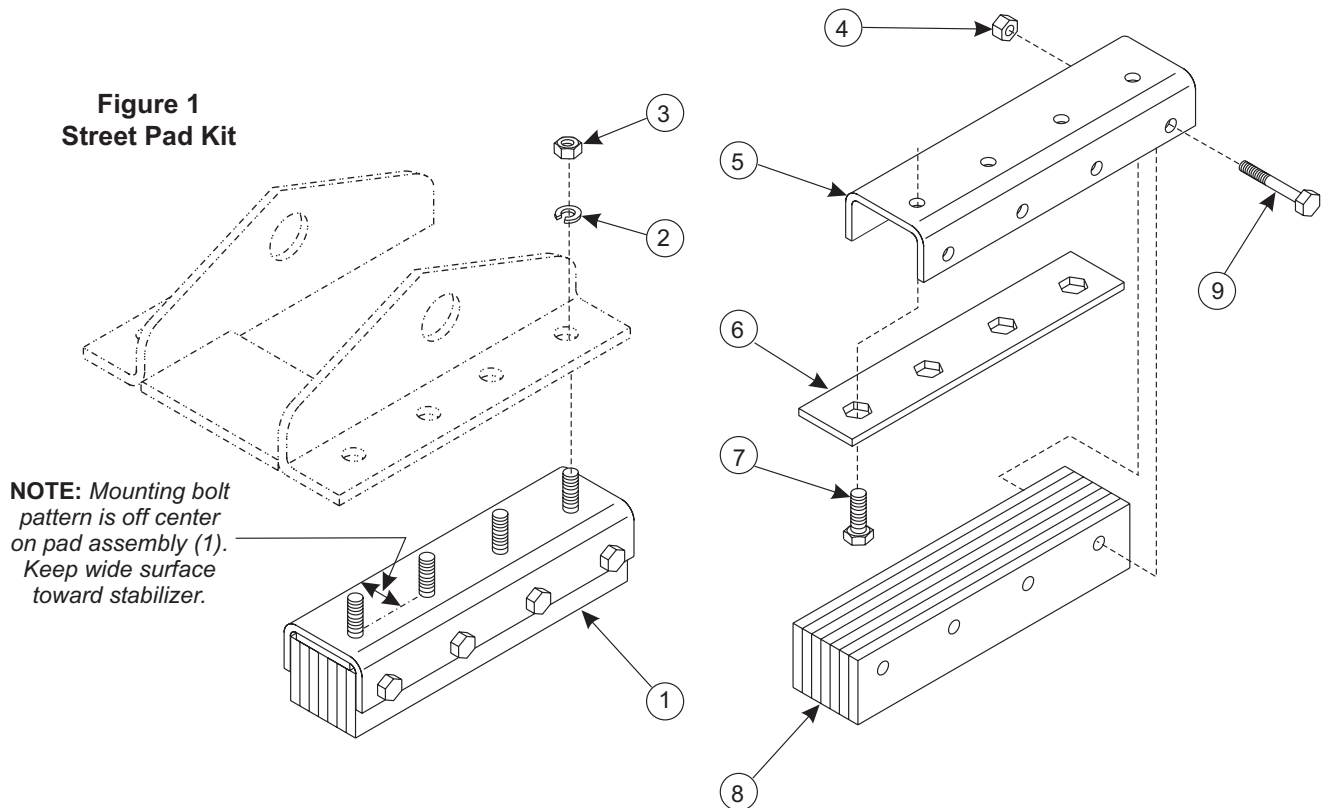


Keep with Operators Manual

STREET PAD KIT 759C BACKHOE

Figure 1
Street Pad Kit



PARTS LIST - STREET PAD KIT

ITEM	SMC NO.	NH NO.	DESCRIPTION	QTY.
1	50097	SML50097	PAD ASSEMBLY	4
2	41837-3	SML418373	WASHER, Lock, 3/8	16
3	41836-3	SML418363	NUT, Hex, 3/8-16	16
4	41840-3	SML418403	NUT, Lock, 3/8-16	16
5	50035	SML50035	CHANNEL	4
6	50037	SML50037	SPACER PLATE	4
7	41838-9	SML418389	SCREW, Cap, 3/8-16 x 1.25	16
8	50036	SML50036	PAD BLOCK ASSEMBLY, Rubber	4
9	41838-88	SML4183888	SCREW, Cap, 3/8-16 x 3.75	16

INSTALLING STREET PADS

Install street pads (1) to stabilizer feet using 3/8 x 1-1/4 cap screws (7), 3/8 lock washers (2) and hex nuts (3).

INSTALLATION INSTRUCTIONS