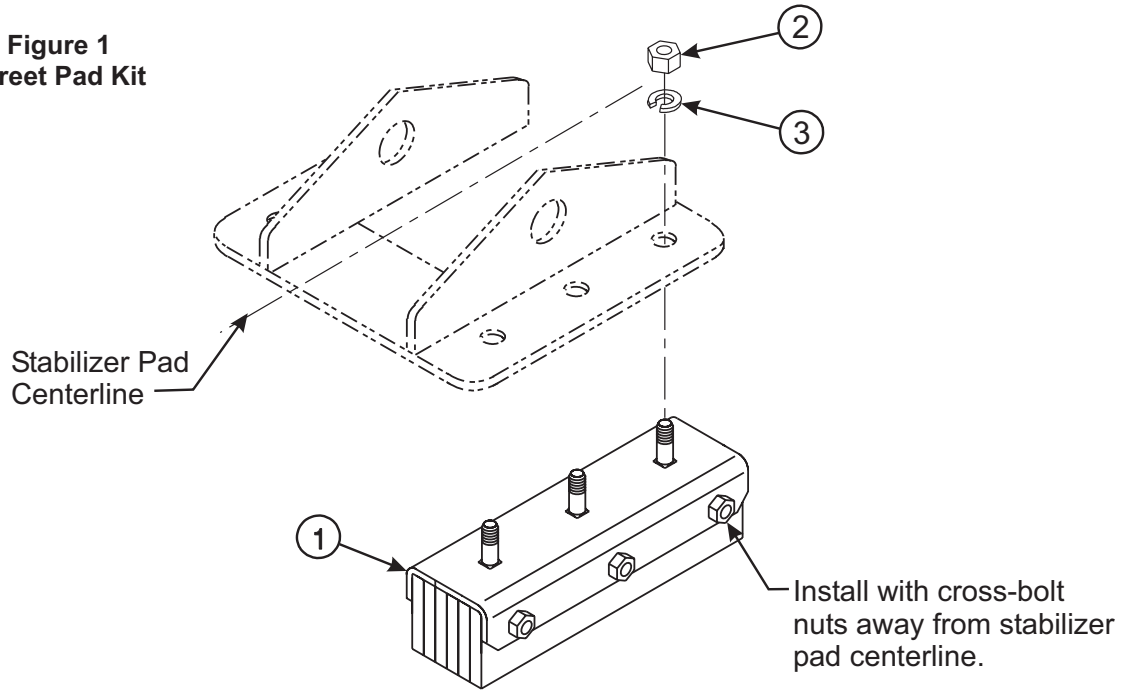


Keep with Operator's Manual

**STREET PAD KIT
756C, 757C & 758C
BACKHOE**

**Figure 1
Street Pad Kit**



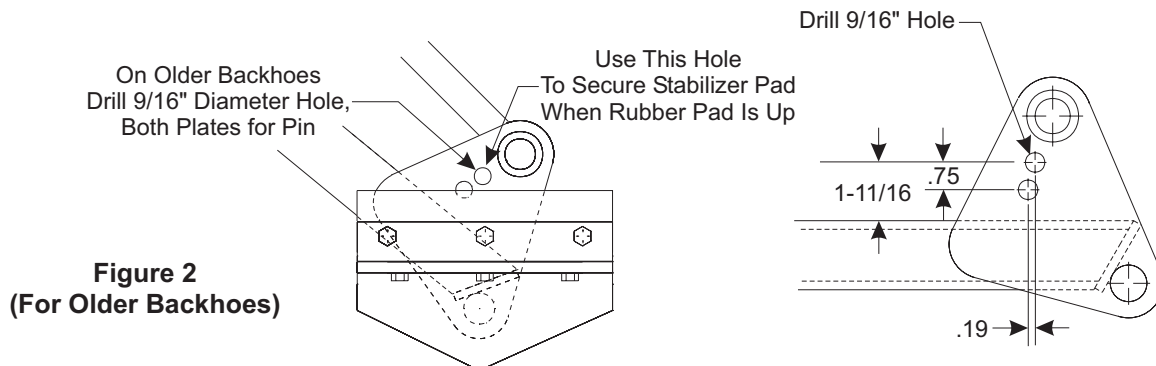
PARTS LIST - STREET PAD KIT

Item	SMC No.	NH No.	Description	Qty.
1	50032	SML50032	PAD, Rubber (Revised)	4
2	41836-3	SML418363	NUT, Hex, 3/8-16	12
3	41837-3	SML418373	WASHER, Lock, 3/8	12

INSTALLING STREET PADS (Figures 1 & 2)

Install street pads (1) to stabilizer feet using 3/8 lock washers (3) and hex nuts (2).

NOTE: On older backhoes drill 9/16" diameter holes, on both side plates to pin rubber pads in up position. (See figure 2)



**Figure 2
(For Older Backhoes)**

INSTALLATION INSTRUCTIONS