

Keep with Operators Manual

BIGFOOT PAD KIT
SMC 65A & 75
NEW HOLLAND 756C, 757C & 758C
KIOTI KB1440 & KB1550
BACKHOE

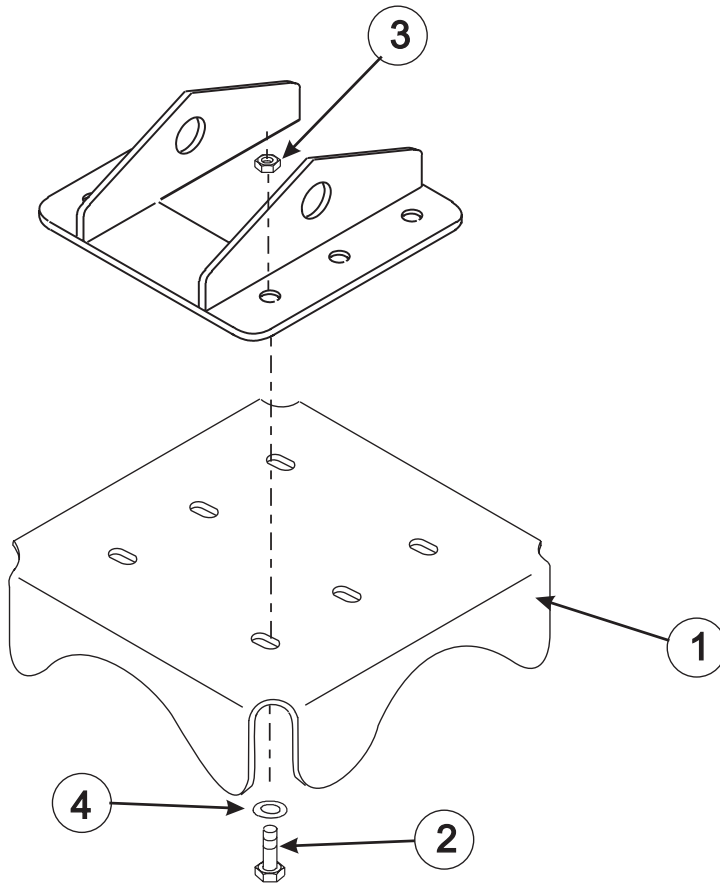


Figure 1
Bigfoot Pad Kit

PARTS LIST - BIGFOOT PAD KIT

ITEM	SMC No.	NH No.	DESCRIPTION	QTY.
1	-----	-----	BIGFOOT PAD (not available as repair part - order complete kit)	2
2	G180124	00880011	SCREW, Cap, 3/8-16 x 1-1/4	12
3	G9413534	00088902	NUT, Lock, 3/8-16	12
4	G120388	00080702	WASHER, Flat, 3/8	12

INSTALLING PADS

Install pads (1) to stabilizer feet using 3/8 x 1-1/4 cap screws (2), lock nuts (3) and flat washers (4).

NOTE: Pads may be installed with points down or with points up.

INSTALLATION INSTRUCTIONS