

715751001 96"
 715751006 96"
 715752001 108"
 715752006 108"

ASSEMBLY MANUAL

2-6116
 2-7031
 2-6117
 2-7027

Keep With Loader Operator's Manual

QUICK ATTACH MATERIAL BUCKETS

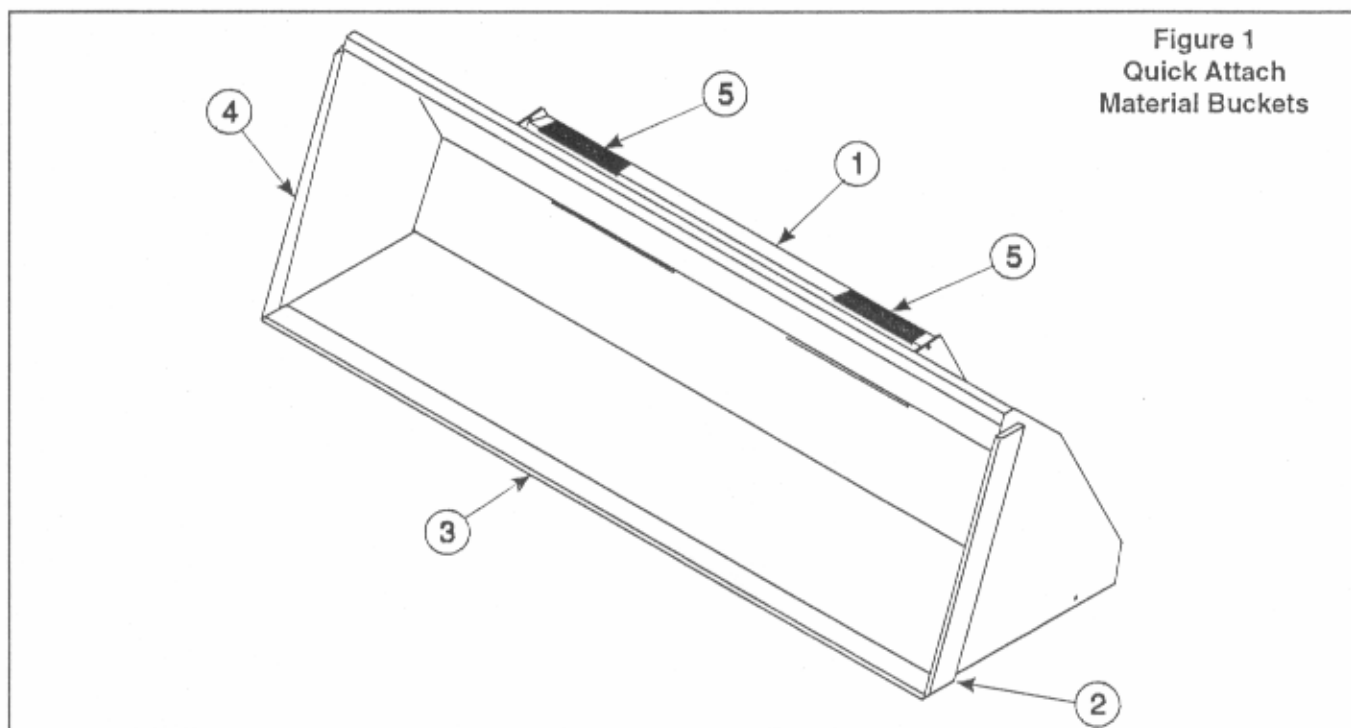


Figure 1
 Quick Attach
 Material Buckets

PARTS LIST - QUICK ATTACH BUCKET

ITEM	PART NO.	DESCRIPTION	QTY.
1	*	BUCKET, 96" Heavy Duty Quick Attach (Includes cutting edges)	1
	*	BUCKET, 108" Heavy Duty Quick Attach (Includes cutting edges)	1
2	42019-1	CUTTING EDGE, Left Side (96" H.D., 108" H.D.)	1
3	38945-1	CUTTING EDGE, Bottom (96" Heavy Duty)	1
	38945-2	CUTTING EDGE, Bottom (108" Heavy Duty)	1
4	42019-2	CUTTING EDGE, Right Side (96" H.D., 108" H.D.)	1
5	25820-4	Surfacing, Anti Slip	2

* Not sold as repair part.

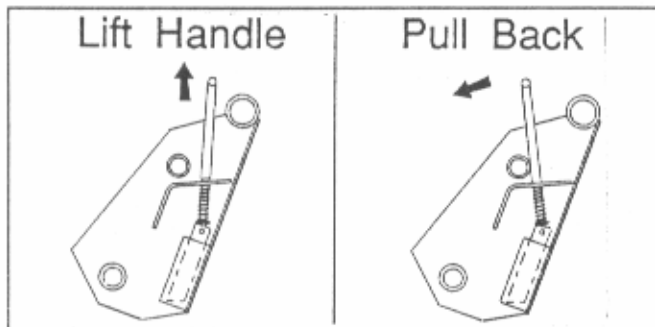
ATTACHING QUICK ATTACH MATERIAL BUCKETS

No tools are needed to install quick attach material buckets.



WARNING: To avoid injury during attachment or detachment, do not allow bystanders within 10 feet of loader or attachment.

1. Locate tractor and bucket on firm level ground. Lower boom to three to five inches off ground.
2. Disengage latch pins by lifting handles and pulling them rearward, so latch pins are held in raised position.



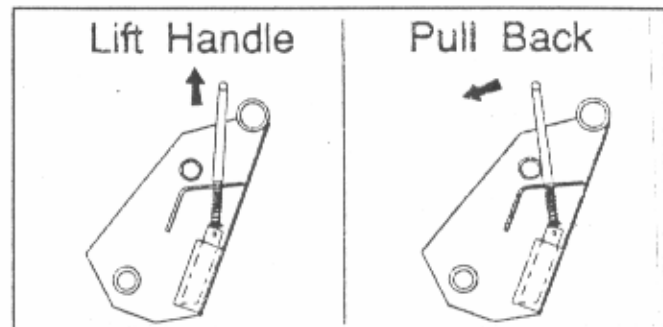
3. Extend bucket cylinders slightly. Making sure loader quick attach bar is parallel to bucket, drive tractor ahead very slowly toward bucket until quick attach bar touches attachment just below attachment channel.
4. Use lift cylinder to raise loader while activating bucket cylinder to curl quick attach device to engage channel of bucket. Moving tractor forward will assist engagement. When quick attach bar has fully engaged bucket channel continue to retract bucket cylinder until latch pins engage bucket securely.
5. Activate lift cylinder to raise bucket and extend bucket cylinders to tilt bucket at a slight downward angle, so quick attach device is visible. Visually inspect attachment mechanism to verify that pins are fully engaged in ears on back of bucket.

NOTE: If bucket is not securely latched, follow instructions for detaching bucket and repeat above procedure.

DETACHING QUICK ATTACH MATERIAL BUCKETS

IMPORTANT: Loader must be equipped with a bucket, bale spear or similar attachment to dismount loader from tractor.

1. Locate tractor and bucket on firm level ground.
2. Lower boom arms until bucket rests level two to three inches off ground. Shut off tractor engine and set tractor brakes.
3. Disengage latch pins by lifting handles and pulling them rearward, so latch pins are held in raised position.



4. Start tractor engine, release tractor brakes and extend bucket cylinders while slowly backing tractor away from bucket, until quick attach bar disengages from bucket.

BUCKET MODEL	BUCKET WIDTH		STRUCK CAPACITY	
	Inches	Centimeters	Cubic Yards	Cubic Meters
96" H.D.	96	244	1.15	.88
108" H.D.	108	274	1.30	.99

INSTALLATION INSTRUCTIONS