

715716006
 715717001
 715720001
 715725001
 715726001
 715716001
 715716006
 715719056
 715717066
 715720066
 715726006
 715725016

ASSEMBLY MANUAL

2-5376
 2-6282
 2-5378
 2-5379
 2-5380
 2-6281
 2-6986
 2-6987
 2-6989
 2-6990
 2-6991
 2-6992

Keep With Loader Operator's Manual

PIN ON MATERIAL BUCKETS

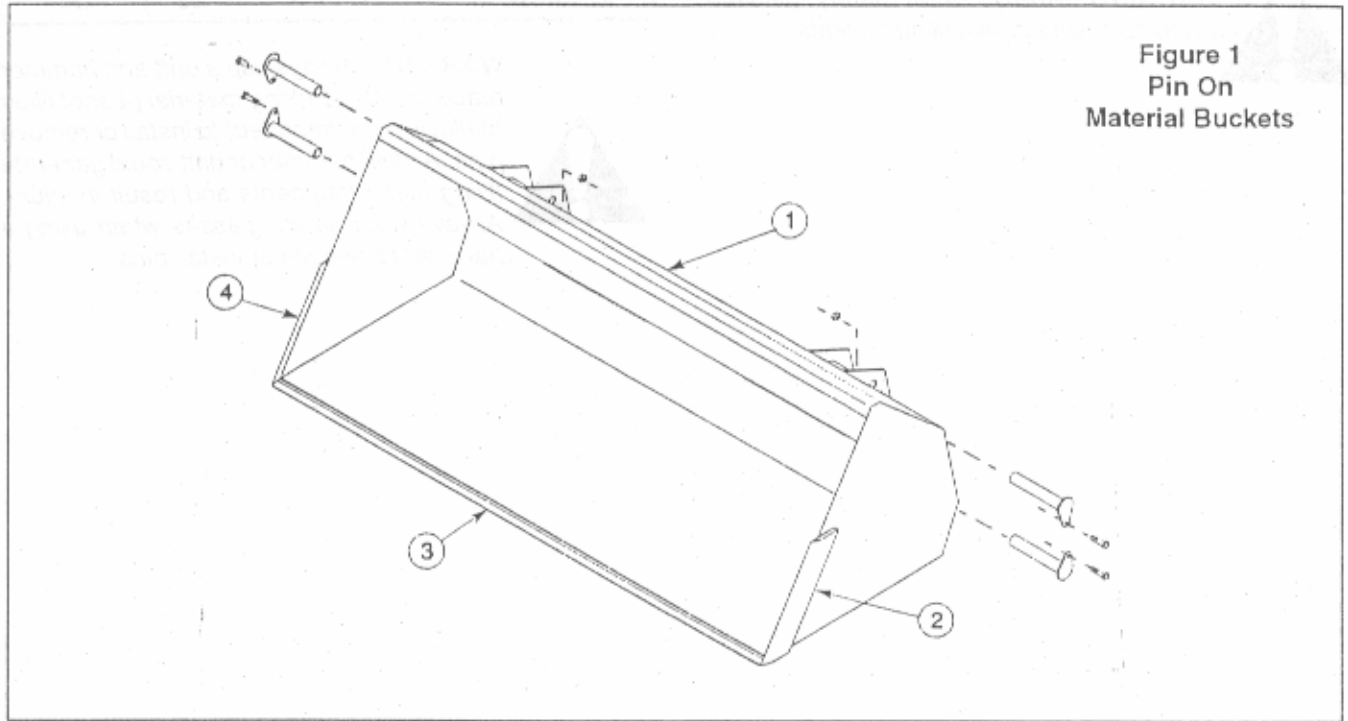


Figure 1
 Pin On
 Material Buckets

PARTS LIST - BUCKETS

ITEM	PART NO.	DESCRIPTION	QTY.
1	*	BUCKET, 60" Standard Pin On (Includes cutting edges)	1
	*	BUCKET, 72" Standard Pin On (Includes cutting edges)	1
	*	BUCKET, 60" Heavy Duty Pin On (Includes cutting edges)	1
	*	BUCKET, 72" Heavy Duty Pin On (Includes cutting edges)	1
	*	BUCKET, 84" Heavy Duty Pin On (Includes cutting edges)	1
	*	BUCKET, 84" Snow Pin On (Includes cutting edges)	1
2	28086-1	CUTTING EDGE, Left Side (60" H.D., 72" H.D., 84" H.D., 84" Snow)	1
	32817-1	CUTTING EDGE, Left Side (60" & 72" Standard)	1
3	22542-3	CUTTING EDGE, Bottom (60" Standard)	1
	22542-5	CUTTING EDGE, Bottom (72" Standard)	1
	22543-5	CUTTING EDGE, Bottom (60" Heavy Duty)	1
	22543-4	CUTTING EDGE, Bottom (72" Heavy Duty)	1
	22543-3	CUTTING EDGE, Bottom (84" Heavy Duty)	1
	22542-8	CUTTING EDGE, Bottom (84" Snow)	1
4	28086-2	CUTTING EDGE, Right Side (60" H.D., 72" H.D., 84" H.D., 84" Snow)	1
	32817-2	CUTTING EDGE, Right Side (60" & 72" Standard)	1

* Not sold as repair part.

ATTACHING PIN ON MATERIAL BUCKETS (Figure 1)

Material buckets can be installed using tools ordinarily available.

Attach bucket to lift boom frame and bucket cylinders with four 1-1/4 pins, 3/8 x 3/4 shoulder bolts and 3/8 lock nuts (supplied with loader).

NOTE: Make sure grease fittings on bucket cylinder rod ends are facing up.



WARNING: Always wear safety glasses when removing or installing buckets.

BUCKET MODEL	BUCKET WIDTH		STRUCK CAPACITY	
	Inches	Centimeters	Cubic Yards	Cubic Meters
60" STANDARD	60	152	.48	.37
72" STANDARD	72	183	.58	.45
60" H.D.	60	152	.44	.34
72" H.D.	72	183	.55	.42
84" H.D.	84	213	.63	.48
84" SNOW	84	213	.92	.70



WARNING: Always use a drift and hammer made of non-sparking material (a shot filled mallet is recommended) to install or remove pins. A steel hammer or drift could generate flying metal fragments and result in injury. Always wear safety glasses when using a hammer to remove or install pins.

INSTALLATION INSTRUCTIONS