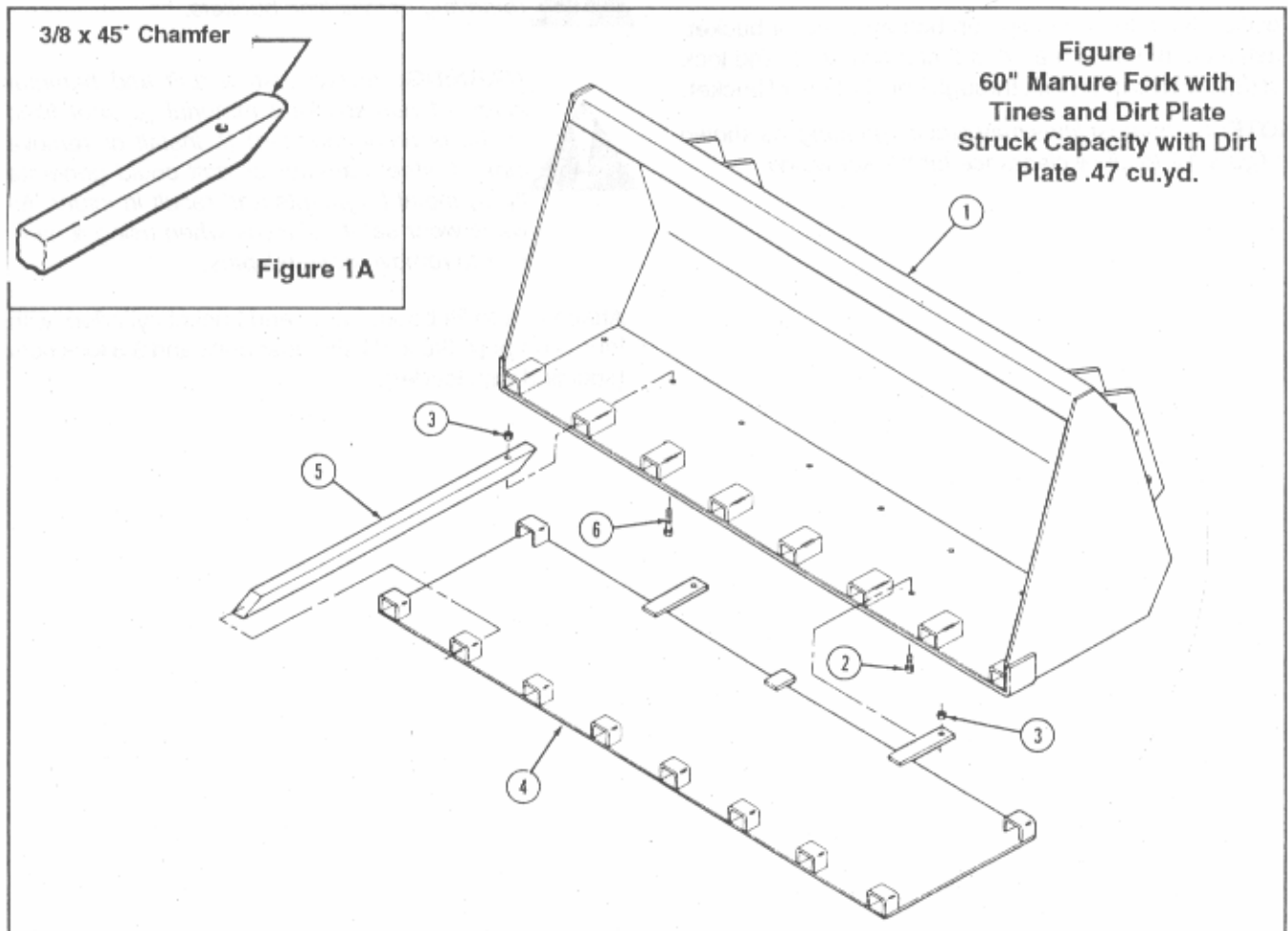


ASSEMBLY MANUAL

Keep With Loader Operator's Manual

PIN ON MANURE FORK



PARTS LIST - MANURE FORK

ITEM	PART NO.	DESCRIPTION	QTY.
1	36734	BUCKET, 60" Manure	1
2	G180183	SCREW, Cap, 1/2-13 x 1	2
3	G9414074	NUT, Lock, 1/2-13	10
4	28157	PLATE, Dirt	1
5	28154	TINE, 1-1/4 sq. x 33-1/4	8
6	G180181	SCREW, Cap, 1/2-13 x 2	8

Manure fork can be assembled using tools ordinarily available.

ASSEMBLING PIN ON MANURE FORK WITH TINES AND DIRT PLATE (Figure 1)

NOTE: Leave all attaching hardware loose until bucket is fully assembled to facilitate assembly and proper alignment of parts.

TINES

Position tines through clips on bottom plate of bucket. Fasten each tine with a 1/2 x 2 cap screw (6) and lock nut (3). Insert cap screws through from bottom of bucket.

NOTE: Right-most tines may require grinding, as shown in figure 1A to allow clearance for bucket welds.

DIRT PLATE

Slide dirt plate (4) onto tines, align tabs on dirt plate with holes in bottom plate of bucket and fasten to bucket with two 1/2 x 1 cap screws (2), washers (7) and lock nuts (3). Insert cap screws through from bottom of bucket.

NOTE: Make sure grease fittings on bucket cylinder rod ends are facing up.



WARNING: Always wear safety glasses when removing or installing buckets.



WARNING: Always use a drift and hammer made of non-sparking material (a shot filled mallet is recommended) to install or remove pins. A steel hammer or drift could generate flying metal fragments and result in injury. Always wear safety glasses when using a hammer to remove or install pins.

Attach fork to lift boom frame and bucket cylinders with four 1-1/4 pins, 3/8 x 3/4 shoulder bolts and 3/8 lock nuts (supplied with loader).

INSTALLATION INSTRUCTIONS