

GRILLE GUARD NEW HOLLAND 3010S TRACTORS 7309 LOADER

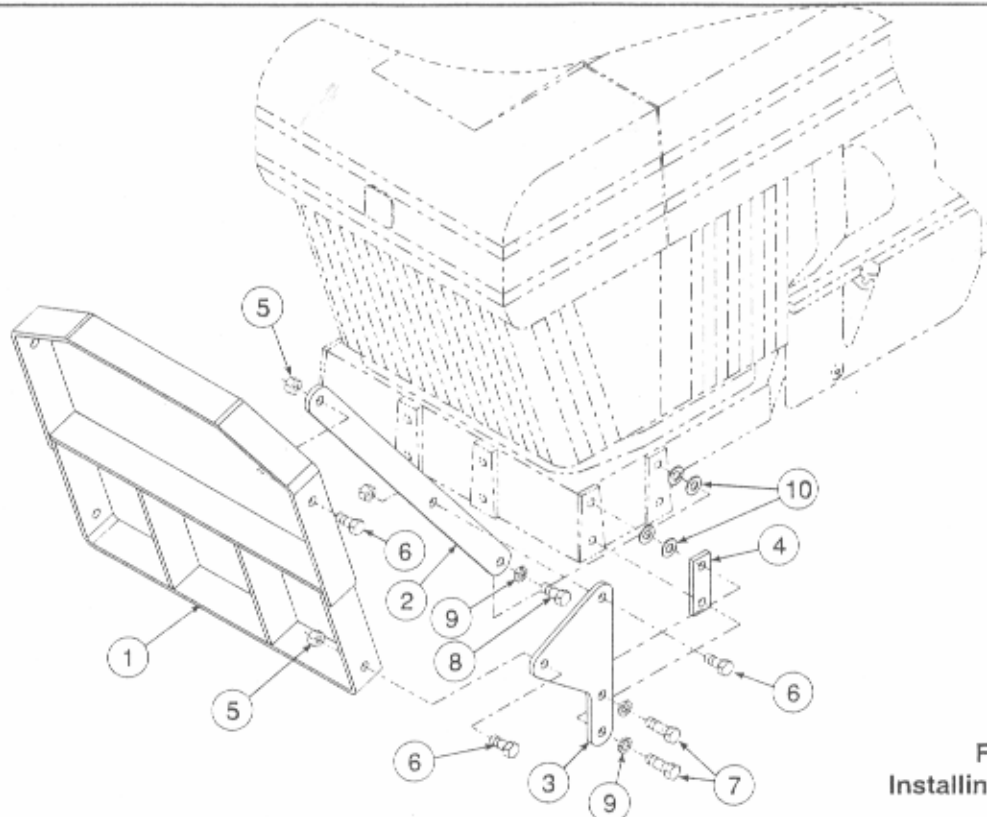


Figure 1
Installing Grille Guard

Grille guard can be installed using tools ordinarily available.

Shut off engine and engage brakes during installation.

NOTE: Leave all attaching hardware loose until guard is completely assembled to facilitate assembly and proper alignment. Tighten all hardware to torque specifications in loader owner's manual.

INSTALLING GRILLE GUARD (Figure 1)

1. Install mounting brackets (3) and spacers (4) using 16MM x 50MM cap screws (7) and 5/8 lock washers (9).

NOTE: Use 5/8 flat washers (10) as spacers if necessary to correct for uneven casting.

NOTE: If installing grille guard (1) and front mounting bracket of mount kit at the same time, discard spacers (4).

2. Install grille guard (1) to mounting brackets (3) using 5/8 x 1-1/2 cap screws (6) and 5/8 lock nuts (5).
3. Install struts (2) to grille guard using 5/8 x 1-1/5 cap screws (6) and 5/8 lock nuts (5). Install struts to tractor using 16MM x 40MM cap screws (8) and 5/8 lock washers (9).

NOTE: Use 5/8 flat washers (10) as spacers if necessary.

PARTS LIST - GRILLE GUARD

ITEM	SMC NO.	NH NO.	DESCRIPTION	QTY.
1	44975	SML44975	GUARD, Grille, Assembly	1
2	44978	SML44978	STRUT	2
3	44977	SML44977	BRACKET, Mounting	2
4	44976	SML44976	SPACER	2
5	G9414075	85700693	NUT, Lock, 5/8-11	6
6	G271547	00088702	SCREW, Cap, 5/8-11 x 1-1/2	6
7	6090-4	09804272	SCREW, Cap, 16MM x 1.5MM x 50MM	4
8	6090-1	09804271	SCREW, Cap, 16MM x 1.5MM x 40MM	2
9	G121574	00084057	WASHER, Lock, 5/8	6
10	G130999	00636422	WASHER, Flat, 5/8	12

INSTALLATION INSTRUCTIONS