

Keep with Operators Manual

## GRILLE GUARD NEW HOLLAND TRACTORS

MODEL	Super Steer	Less Cab	With Cab
TN55S, TN65S, TN70S, TN75S	X	X	X
TN60SA, TN70SA, TN75SA	X	X	X

Guard can be installed using tools ordinarily available.

Torque all hardware to specifications listed in loader operator's manual.

If tractor is equipped with front weights, they must be removed along with weight bracket.

### INSTALLING GUARD (Figure 1)

1. Install support assembly bracket (2) to tractor casting using 12mm x 25mm cap screws (6) and 1/2 lock washers (10).
2. Attach grille guard assembly (1) to support assembly bracket (2) using 1/2 x 1-1/2 cap screws (8) and 1/2 lock nuts (9). Grille guard assembly (1) needs to rotate forward freely after hardware is tightened.
3. Attach struts (3) to tractor casting using 20mm x 40mm cap screws (7) and 20mm lock washers (11).

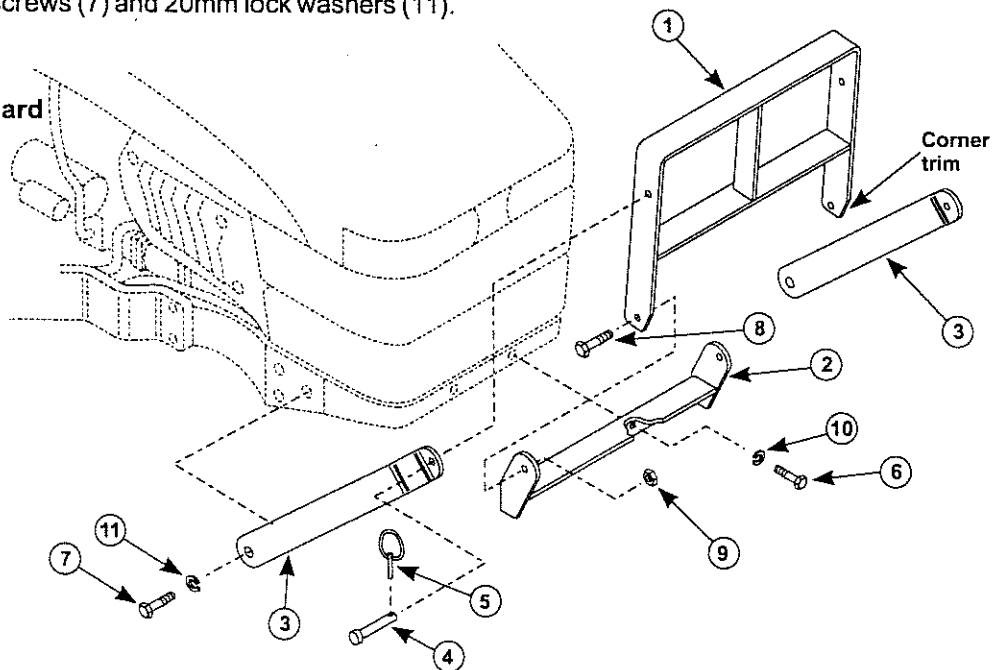
**NOTE:** Attach grille guard assembly (1) with corner trim facing away from front of tractor.

4. Fasten struts (3) to grille guard assembly (1) using clevis pins (4) and linch pins (5).
5. Adjust front wheel trend settings or steering stops, if necessary, to provide a minimum 3/4 inch clearance between front tires and any part of loader with lift cylinders fully retracted and front axle fully oscillated. Be sure lift cylinders are fully retracted. Refer to tractor operator's manual for tread setting and steering stop adjustment procedures.

### OPENING HOOD

To open hood, remove linch pins (5) and clevis pins (4), and tilt guard forward away from tractor hood.

**Figure 1**  
Installing Guard



ITEM	SMC NO.	NH NO.	DESCRIPTION	QTY.
1	46656	SML46656	GRILLE GUARD ASSEMBLY	1
2	46739	SML46739	BRACKET, Support Assembly	1
3	46741	SML46741	STRUT	2
4	6021-57	SML602157	CLEVIS PIN, 1/2 x 1-1/2	2
5	44756-2	SML447562	LINCH PIN	2
6	6090-16	09804266	SCREW, Cap, 12mm - 1.25 x 25mm	2
7	6090-67	09512573	SCREW, Cap, 20mm - 2.50 x 40mm	2
8	G180177	00087689	SCREW, Cap, 1/2-13 x 1-1/2	2
9	G9414074	09636698	NUT, Lock, 1/2-13	2
10	G120384	00080679	WASHER, Lock, 1/2	2
11	G11500166	09847025	WASHER, Lock, 20mm	2

# INSTALLATION INSTRUCTIONS