

Keep with Operators Manual

BIGFOOT PAD KIT
SMC 95
NEW HOLLAND 759C
BACKHOES

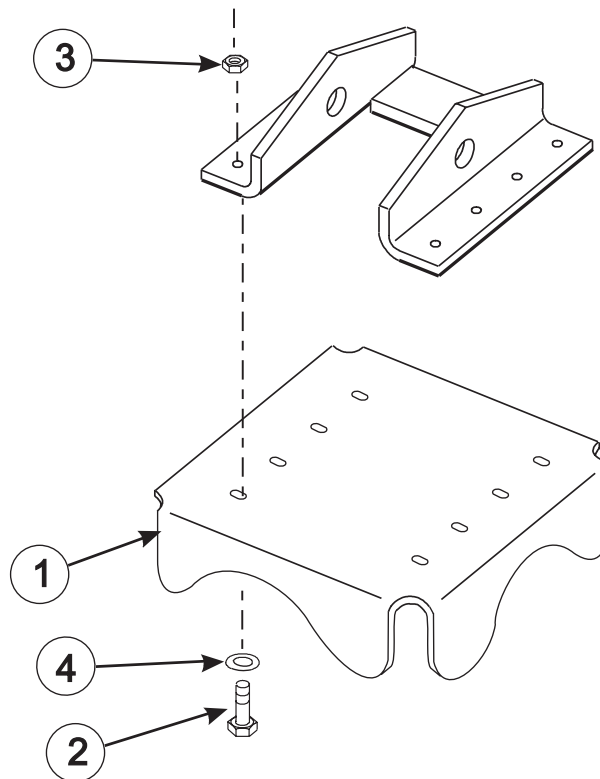


Figure 1
Bigfoot Pad Kit

PARTS LIST - BIGFOOT PAD KIT

ITEM	SMC No.	NH No.	DESCRIPTION	QTY.
1	-----	-----	BIGFOOT PAD (not available as repair part - order complete kit)	2
2	G180124	00880011	SCREW, Cap, 3/8-16 x 1-1/4	16
3	G9413534	00088902	NUT, Lock, 3/8-16	16
4	G120388	00080702	WASHER, Flat, 3/8	16

INSTALLING PADS

Install pads (1) to stabilizer feet using 3/8 x 1-1/4 cap screws (2), lock nuts (3) and flat washers (4).

NOTE: Pads may be installed with points down or with points up.

2-6461
2-7058

716525016
716525036

INSTALLATION INSTRUCTIONS