

Keep with Operators Manual

STREET PAD KIT

NEW HOLLAND 759C BACKHOE

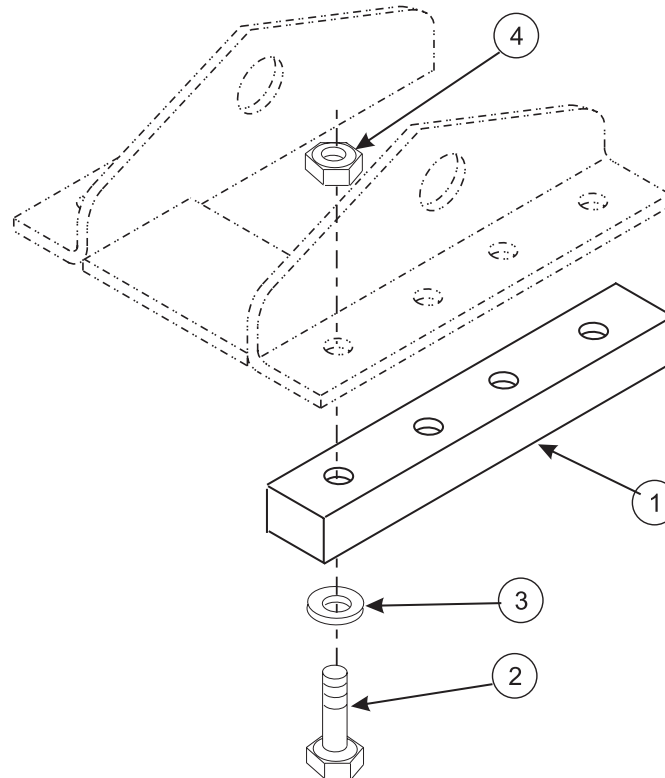


Figure 1
Street Pad Kit

PARTS LIST - STREET PAD KIT

ITEM	SMC No.	NH No.	DESCRIPTION	QTY.
1	45097	SML45097	PAD, Rubber	4
2	G180124	00880011	SCREW, Cap, 3/8-16 x 1-1/4	16
3	G120388	00080702	WASHER, Flat, 3/8	16
4	G9413534	00088902	NUT, Lock, 3/8-16	16

INSTALLING STREET PADS

Install street pads (1) to stabilizer feet using 3/8 x 1-1/4 cap screws (2), 3/8 flat washers (3) and lock nuts (4).

INSTALLATION INSTRUCTIONS