

GRILLE GUARD

NEW HOLLAND TRACTORS

MODEL	2WD	4WD	LESS CAB	WITH CAB
4835	X	X	X	X
5635	X	X	X	X
6635	X	X	X	X

Grille guard can be installed using tools ordinarily available. Shut off engine and engage brakes during installation.

INSTALLING GRILLE GUARD (Figure 1)

NOTE: If installing loader mounting kit with grille guard, leave hardware loose until mid mounting brackets are installed to facilitate installation. Discard extra hardware from mounting kit parts carton.

1. Install grille guard brackets (2), 3/4 spacer plate (5) and 1/4 spacer plate (4) using 20MM x 80MM cap screws (12) and 7/8 lock washers (11).

NOTE: If installing loader mounting kit with grille guard, leave out 1/4 spacer plate (4)(replaced by front mounting bracket) and one round spacer (7) each side(replaced by mid mounting brackets).

2. Install struts (3) using 20MM x 80MM cap screws (12), 7/8 lock washers (11) and 7/8 round spacers (7).
3. Install grille guard (1) to brackets (2) using 1/2 x 1-1/2 cap screws (9), 1/2 flat washers (8), rotation bearings (6) and 1/2 lock nuts (4).
4. Connect grille guard (1) and struts (3) using clevis pins (10) and hair pin cotters (13).

OPENING HOOD

To open hood, remove cotter pins (13) and clevis pins (10), and tilt guard forward away from tractor hood.

PARTS LIST - GRILLE GUARD

ITEM	SMC NO.	NH NO.	DESCRIPTION	QTY.
1	43783	SML43783	GUARD, Grille, Assembly	1
2	45255	SML45255	BRACKET, Grille Guard	2
3	43785	SML43785	STRUT	2
4	43786	SML43786	SPACER, 1/4 x 2-1/4	2
5	43787	SML43787	SPACER, 3/4 x 2-1/4	2
6	35825-2	SML358252	BEARING, Rotation, 5/8 x 7/8	2
7	15281	SML15281	SPACER, 7/8 x 3/4	4
8	G120396	00087364	WASHER, Flat, 1/2 (Use with Mount Kit)	4
9	G180177	00087872	SCREW, Cap, 1/2-13 x 1-1/2	2
10	6021-26	SML602126	PIN, Clevis	2
11	G131047	00087341	WASHER, Lock, 7/8	6
12	6090-101	00382101	SCREW, Cap, 20-2.5MM x 80MM	6
13	6003-3	SML60033	COTTER, Hair Pin	2
14	G9414074	09636698	NUT, Lock, 1/2-13	2

NOTE: If installing loader mounting kit with grille guard, leave out 1/4 spacer plates (4)(replaced by front mounting bracket) and one 3/4 round spacer (7) each side (replaced by mid mounting brackets).

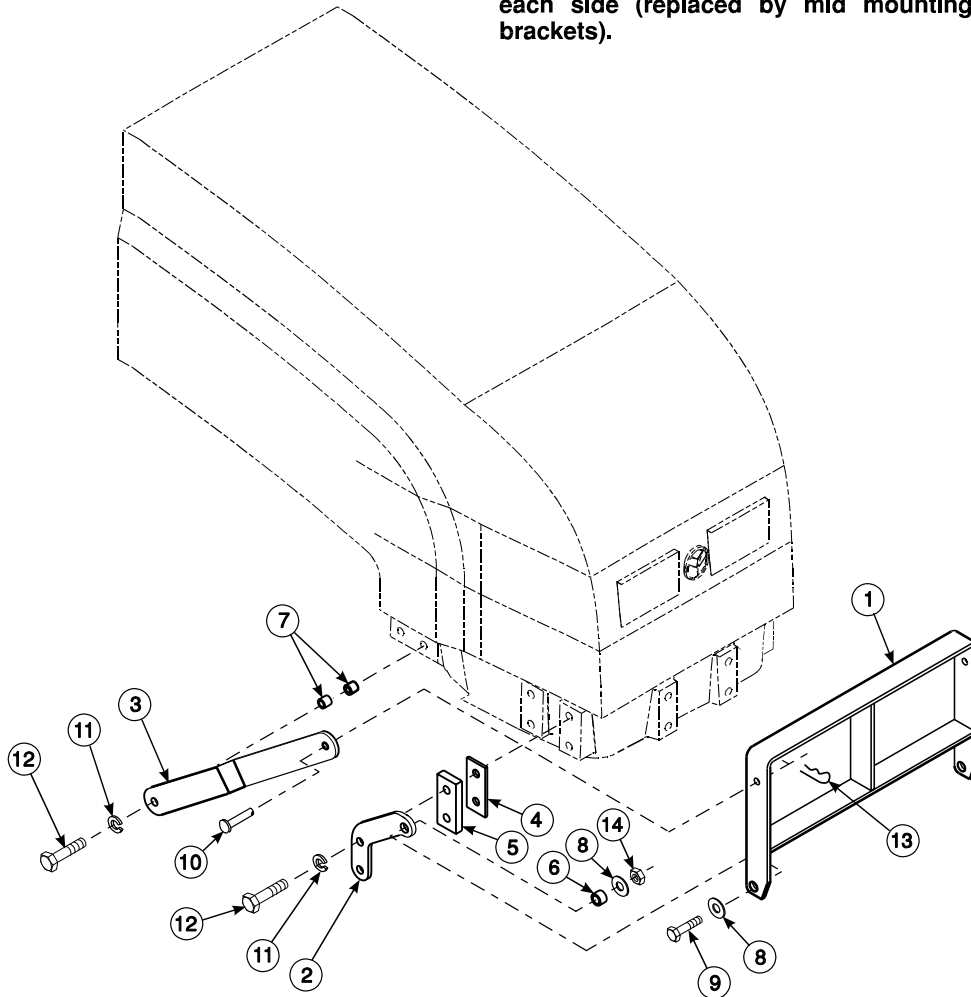


Figure 1
Installing Grille Guard

INSTALLATION

INSTRUCTIONS