

GRILLE GUARD

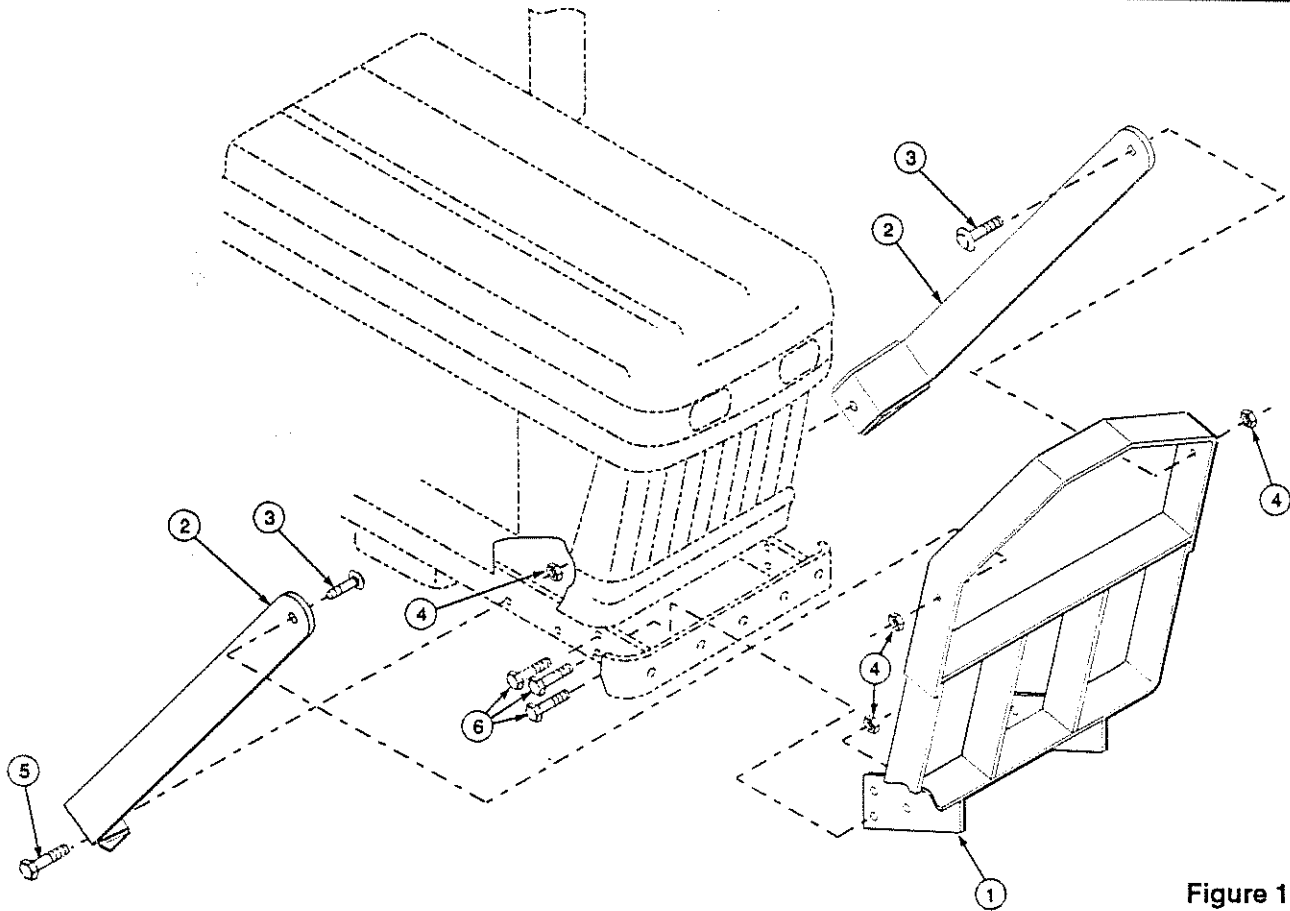


Figure 1
Installing Grille Guard

Grille guard can be installed using tools ordinarily available.

Shut off engine and engage brakes during installation.

INSTALLING GRILLE GUARD (Figure 1)

1. Install grille guard (1) to tractor frame using 1/2 x 2 cap screws (6) and 1/2 lock nuts (4).

NOTE: If installing grille guard (1) and front mounting bracket of mount kit at the same time, use hardware provided with front mounting bracket.

2. Install brackets (2) to grille guard (1) using 1/2 x 1-1/4 carriage bolts (3) and 1/2 lock nuts (4).
3. Install brackets (2) to tractor frame using 1/2 x 1-3/4 cap screws (5) and 1/2 lock nuts (4).

PARTS LIST - GRILLE GUARD

ITEM	PART NO.	DESCRIPTION	QTY.
1	43116	GUARD, Grille, Assembly	1
2	43117	BRACKET, Grille Guard	2
3	G126485	BOLT, Carriage, 1/2-13 x 1-1/4	2
4	G9414074	NUT, Lock, 1/2-13	10
5	G180179	SCREW, Cap, 1/2-13 x 1-3/4	2
6	G180181	SCREW, Cap, 1/2-13 x 2	6

INSTALLATION INSTRUCTIONS